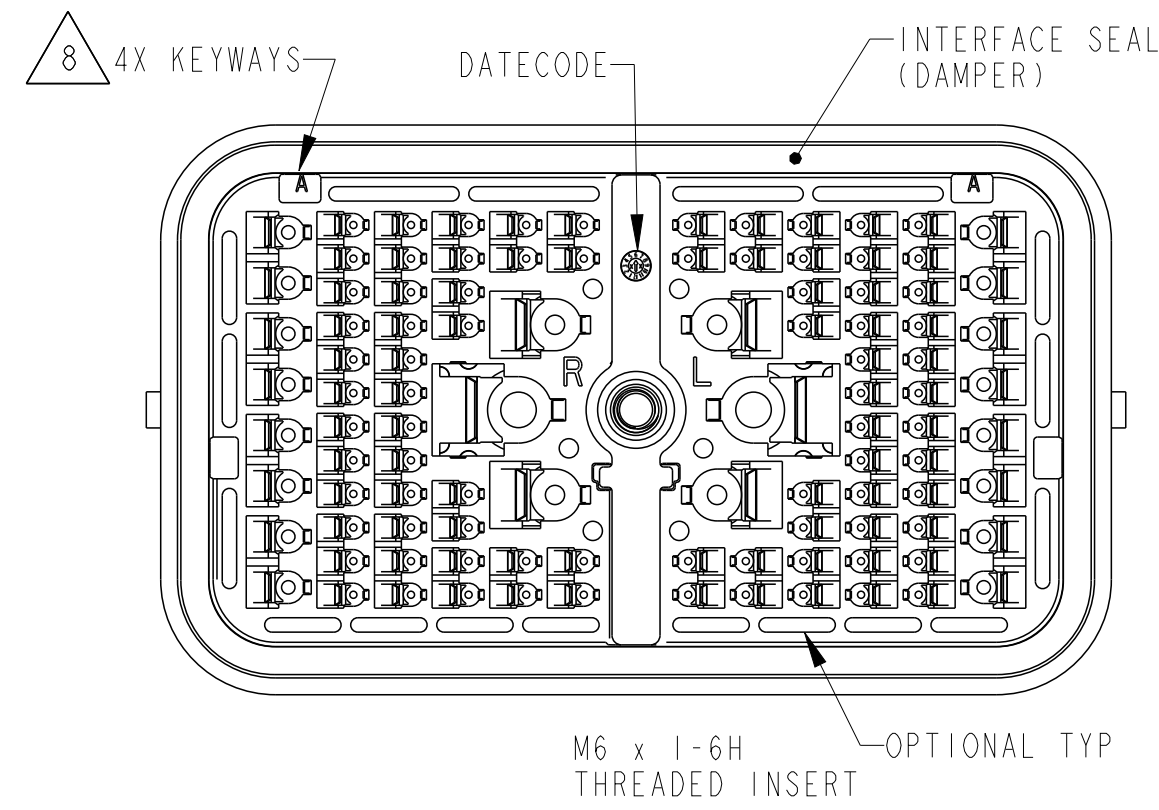
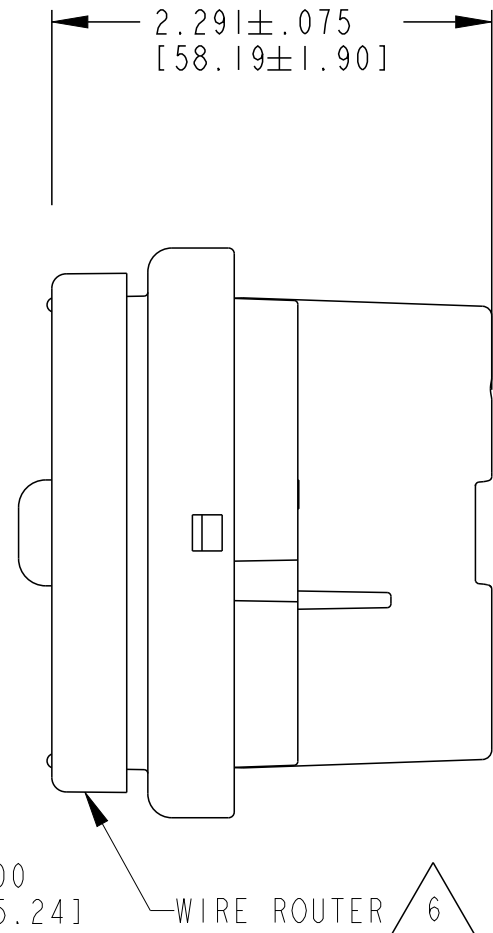
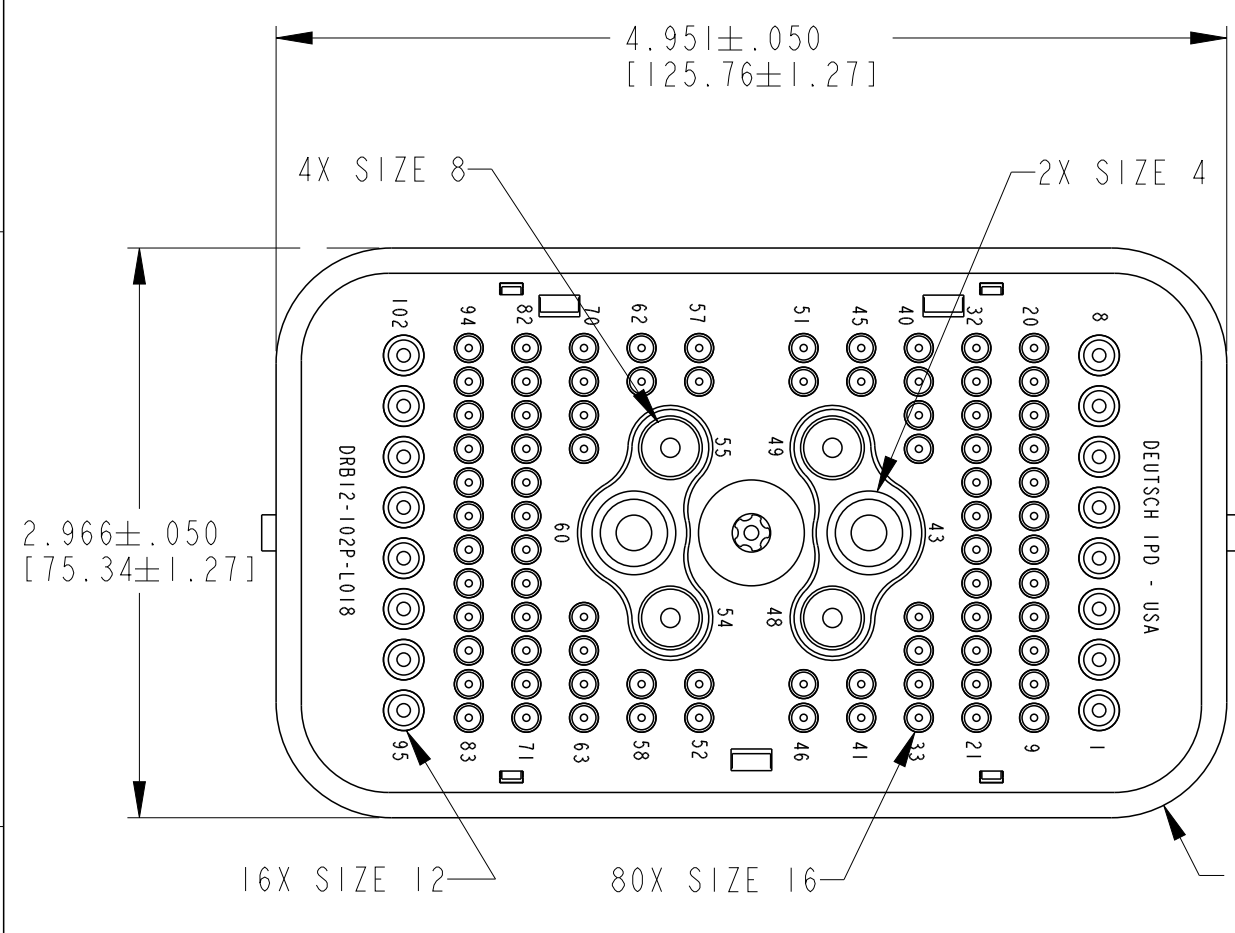


P	LTR	DESCRIPTION	DATE	DWN	APVD
C		REVISED PER E.O. P21520	12-8-12	DM	DM
C1		REVISED PER E-21-000810	20JAN2021	MR	IG
C2		REVISED PER PCN-22-147469	26JUL2022	JT	IG
C3		REVISED PER PCN-24-202455	19ABR2024	JT	CB



- 8 SEE SHEET 2 FOR OTHER KEY ARRANGEMENTS.
- 7 MATERIAL: RECEPTACLE: PA66 GF; SEAL/GROMMET: VMQ; THREADED INSERT: STEEL.
- 6 WIRE ROUTER CAP IS INCLUDED WITH RECEPTACLE (-L018).
- 5. THIS RECEPTACLE MATES WITH DRB16-102S*E-**** PLUG (*=A,B,C,D KEYS; **** = ALL MODIFICATIONS. CONSULT FACTORY FOR MODS)
- 4 FOR CONTACTS AND WIRE PERFORMANCE AND APPLICATION CHARACTERISTICS SEE INFORMATION DRAWING 0425-015-0000.

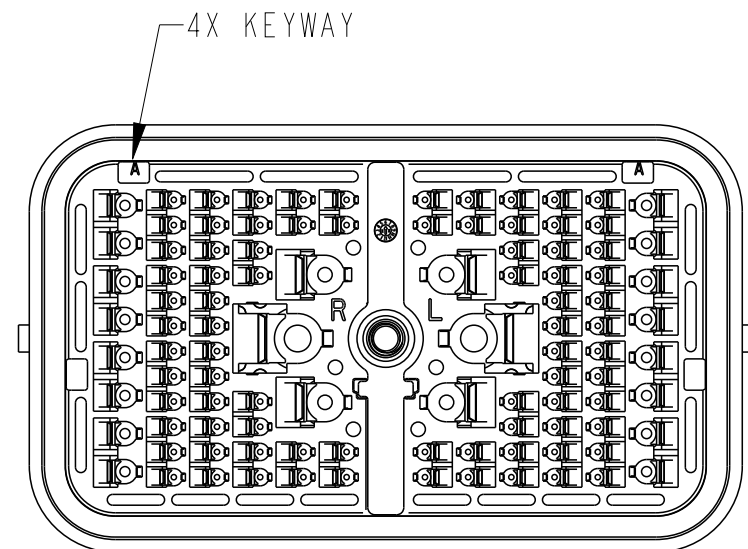
CONTACT SIZE	MIN. INSUL. O.D. [mm]	MAX. INSUL. O.D. [mm]	WIRE RANGE [mm ²] REF ONLY
4	.261 [6.629]	.292 [7.417]	6 AWG [13.0]
8	.135 [3.429]	.220 [5.588]	8-10 AWG [8.0-5.0]
12	.097 [2.464]	.158 [4.013]	12-14 AWG [3.0-2.0]
16	.053 [1.346]	.120 [3.048]	14-20 AWG [2.0-0.5]

- 3. ITEMS SOLD SEPARATELY: SECONDARY LOCKS: WB-51P*R AND WB-51P*L INTERFACE FLANGE: DRBF-1*
 - 2. DELETED.
 - 1. DELETED.
- NOTES: UNLESS OTHERWISE SPECIFIED

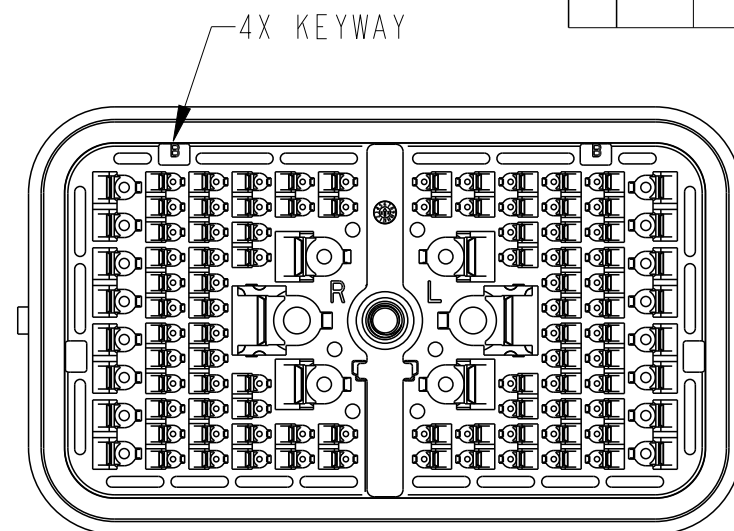
THIS DRAWING IS A CONTROLLED DOCUMENT.		DWN J. APOSTOL 13DEC2012														
DIMENSIONS: INCHES [mm]		CHK P. CARNAHAN 17DEC2012														
TOLERANCES UNLESS OTHERWISE SPECIFIED:		APVD D. MEYER 18DEC2012	NAME RECEP, 102 CONTACTS KEY: A,B,C,D E SEAL; COLOR: BLACK -L018 MOD DRB SERIES													
<table border="0"> <tr> <td>0 PLC</td> <td>±</td> </tr> <tr> <td>1 PLC</td> <td>±</td> </tr> <tr> <td>2 PLC</td> <td>±</td> </tr> <tr> <td>3 PLC</td> <td>±.025 [.64]</td> </tr> <tr> <td>4 PLC</td> <td>±</td> </tr> <tr> <td>ANGLES</td> <td>±30° 0' 0''</td> </tr> </table>		0 PLC	±	1 PLC	±	2 PLC	±	3 PLC	±.025 [.64]	4 PLC	±	ANGLES	±30° 0' 0''	PRODUCT SPEC 108-151021	SIZE A3 CAGE CODE 00779 DRAWING NO C-DRB12-102PXE-L018 RESTRICTED TO -	
0 PLC	±															
1 PLC	±															
2 PLC	±															
3 PLC	±.025 [.64]															
4 PLC	±															
ANGLES	±30° 0' 0''															
MATERIAL 7		APPLICATION SPEC -	SCALE 2:1 SHEET 1 OF 2 REV C3													
		WEIGHT -	CUSTOMER DRAWING; RESTRICTED CUSTOMER													

REVISIONS

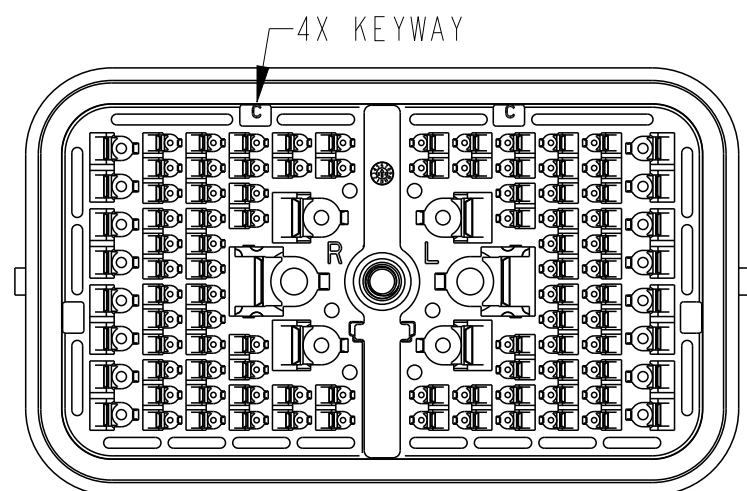
P	LTR	DESCRIPTION	DATE	DWN	APVD
-	-	SEE SHEET 1	-	-	-



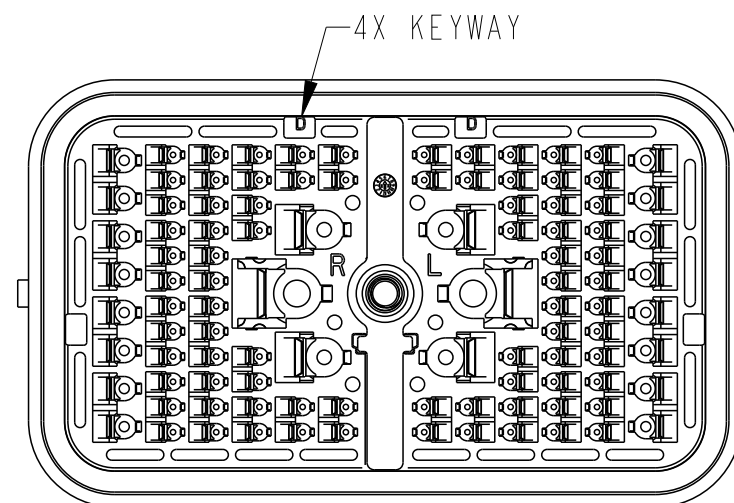
DRB12-102PAE-L018
KEY: A



DRB12-102PBE-L018
KEY: B



DRB12-102PCE-L018
KEY: C



DRB12-102PDE-L018
KEY: D

THIS DRAWING IS A CONTROLLED DOCUMENT.		DWN J. APOSTOL 13DEC2012				
DIMENSIONS: INCHES [mm]		CHK P. CARNAHAN 17DEC2012				
TOLERANCES UNLESS OTHERWISE SPECIFIED:		APVD D. MEYER 18DEC2012	NAME RECEP, 102 CONTACTS KEY: A,B,C,D E SEAL; COLOR: BLACK -L018 MOD DRB SERIES			
<ul style="list-style-type: none"> 0 PLC ± 1 PLC ± 2 PLC ± 3 PLC ±.025 [.64] 4 PLC ± ANGLES ±30° 0' 0" FINISH - 		PRODUCT SPEC 108-151021	SIZE A3	CAGE CODE 00779	DRAWING NO DRB12-102PXE-L018	RESTRICTED TO -
MATERIAL 7		APPLICATION SPEC -	SCALE 2:1		SHEET 2 OF 2	REV C3
CUSTOMER DRAWING; RESTRICTED CUSTOMER						